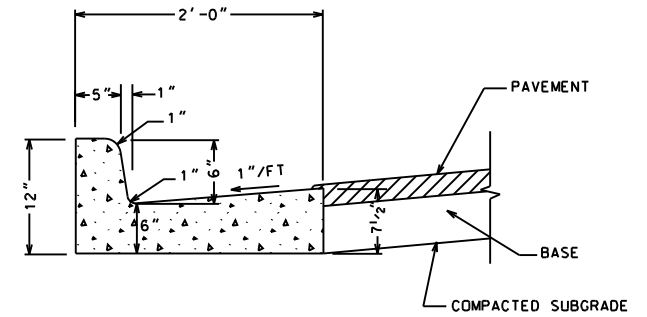


TYPICAL CURB & GUTTER SECTION
N.T.S.

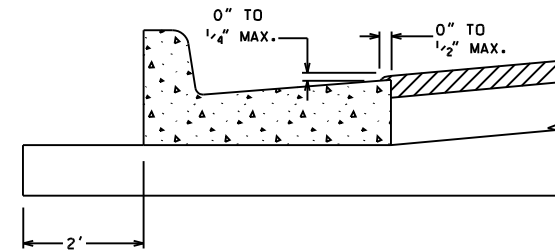
- ① IMPROVED BITUMINOUS CONCRETE WEARING SURFACE LAYER, 1/2" MAXIMUM AGGREGATE SIZE MIX, ESAL RANGE B, 165 #/SY (ALDOT SECTION 424)
- ② BITUMINOUS TREATMENT "A" (PRIME) (ALDOT SECTION 401)
- ③ GRANULAR SOIL BASE COURSE, 6" COMPACTED THICKNESS (ALDOT SECTION 821)
- ④ COMPACTED SUBGRADE (ALDOT SECTION 230) (32' WIDTH)
- ⑤ COMBINATION CURB & GUTTER, TYPE C MODIFIED (ALDOT SECTION 623)
- ⑥ TOPSOIL (3" COMPACTED THICKNESS) (ALDOT SECTION 650)
- ⑦ SEEDING (ALDOT SECTION 652)
- ⑧ MULCHING, (ALDOT SECTION 656)

NOTES:

- 1. REFERENCE ALDOT STANDARD SPECIFICATIONS FOR HIGHWAY CONSTRUCTION, CURRENT EDITION.
- 2. SOIL AGGREGATE BASE MAY BE SUBSTITUTED FOR GRANULAR SOIL BASE, 6" MINIMUM THICKNESS.



CURB & GUTTER DETAIL
TYPE C MODIFIED



ASPHALT OVERLAP DETAIL

GENEVA COUNTY ENGINEERING DEPARTMENT			
DATE: 06/19/17			DATUM:
CURB & GUTTER SECTION			
SCALE: N.T.S.			DRAWN BY: M SHIRAH